



# ACO Building Drainage

FloorDrain Top and BoxDrain

Site Installation Guide



# Getting Started

## Contents

Getting Started	1
Examples	2
Installation Sections	
1. Assembly of Leveling Feet for Installation	3
2. ACO FloorDrain Top and BoxDrain Installation	4
3. Floor Finishing	6

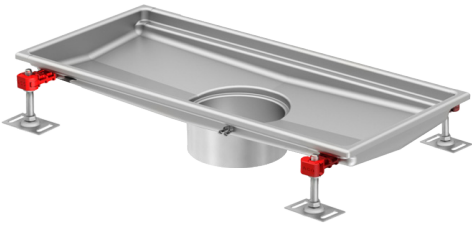
# Examples:

## ACO FloorDrain Top and BoxDrain

Usually used in conjunction with an adjustable height floor drain base.

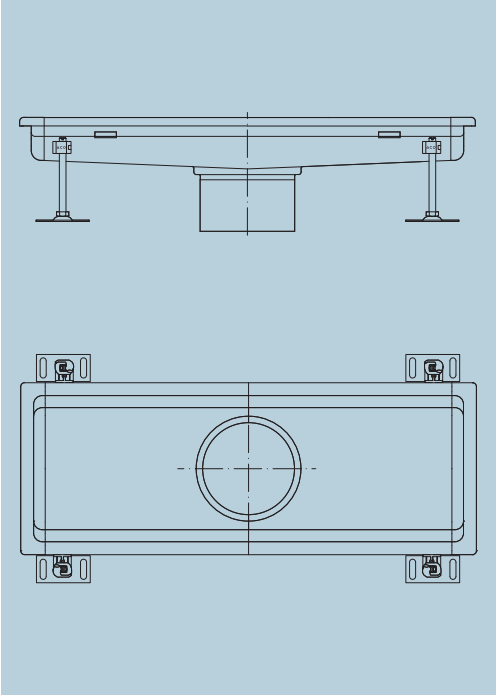
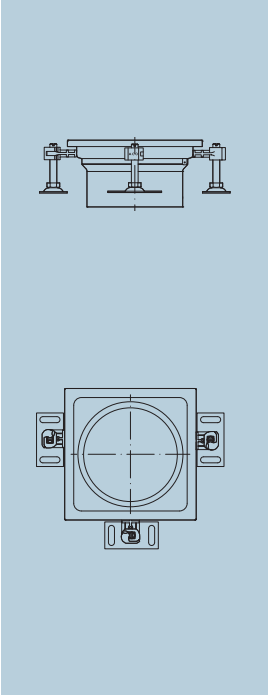


FloorDrain Top



BoxDrain

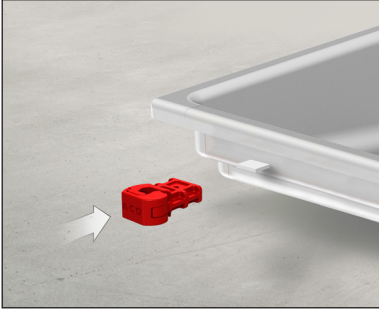
FLOOR DRAIN TOP AND BOX DRAIN



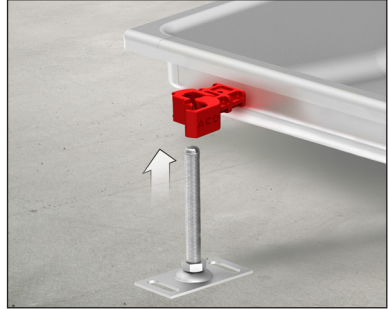
1

**Assembly of Leveling Feet for Installation**

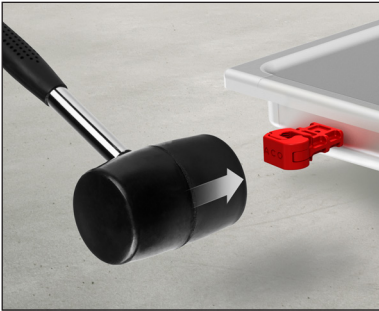
1. Attach red plastic clips.



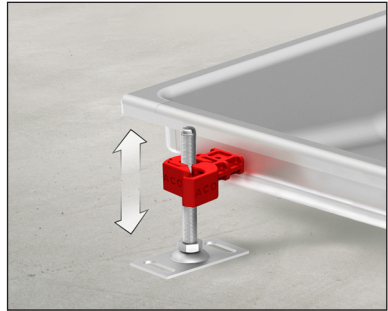
4. Insert leveling feet through plastic clip.



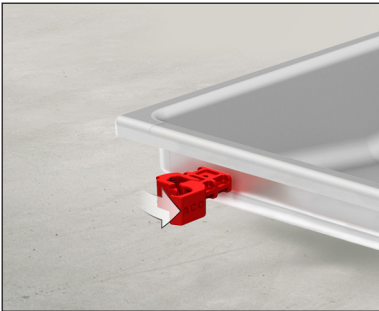
2. Using a rubber mallet, gently tap the clip in place.



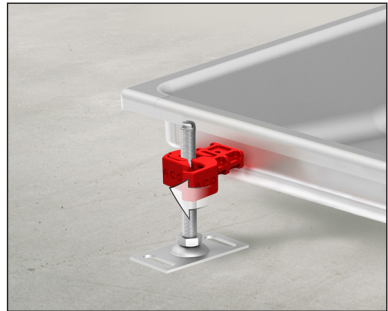
5. Leveling feet slide through clip to set channel at approximate height and level required.



3. Open clip.



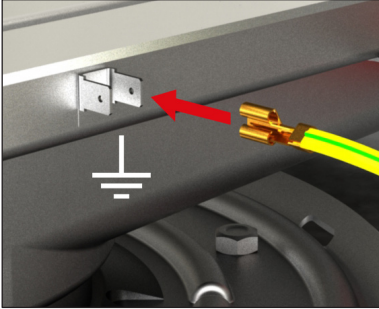
6. Close and snap clip to hold feet in place - fine tuning can be done later with screwdriver.



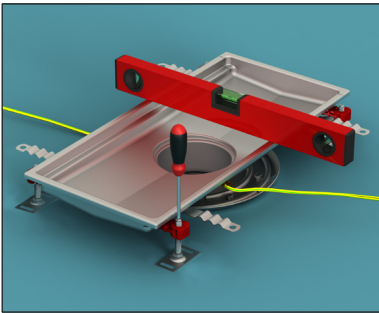
2

## ACO FloorDrain Top and BoxDrain Installation

**Note:** BoxDrain is shown in illustrations.

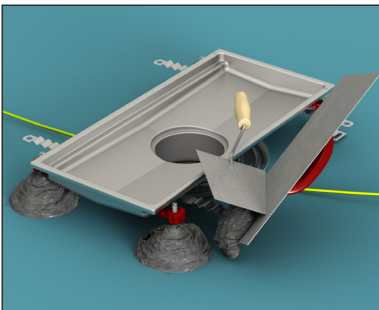


1. Attach grounding wire to earthing point on FloorDrain top/BoxDrain, if required.



2. Push fit the unit into the friction ring on the floor drain body.

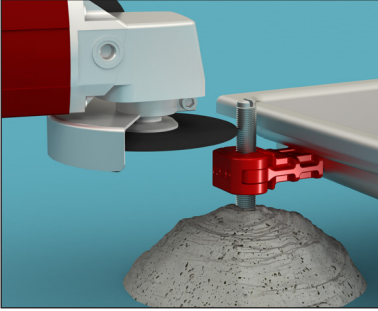
Using a flat head screwdriver, adjust height and level the unit.



3. If using a waterproof membrane, pour concrete around BoxDrain feet to fix in place.

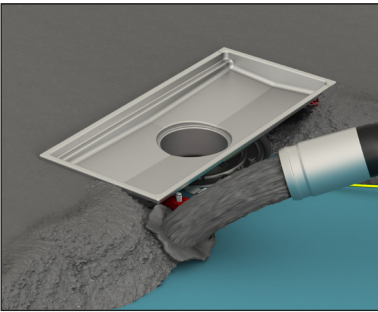
If not using a waterproof membrane, the feet can be fixed with concrete or fixed to a footer slab.

2

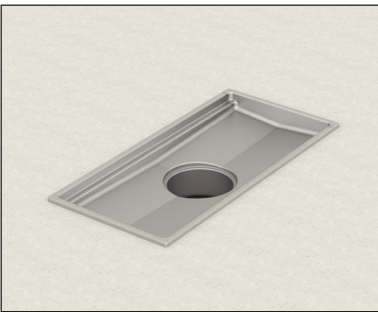
**ACO FloorDrain Top and BoxDrain Installation (cont.)**

4. If threaded leveling legs interfere with intended floor finish, they will need to be trimmed.

If cutting leveling feet, cover the open BoxDrain to prevent steel particles from damaging the finish.



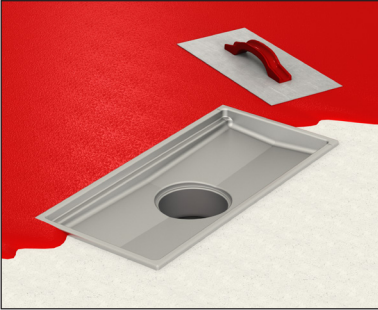
5. Pour concrete to appropriate level, avoiding any voids around the unit.



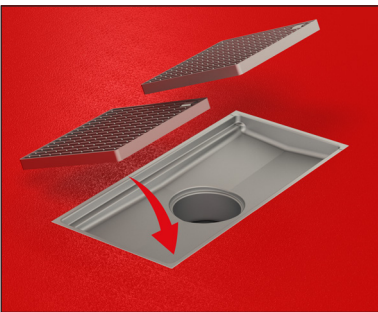
6. Complete concrete pour to required level leaving any required space to accommodate final floor finish such as Tile or Epoxy.

3

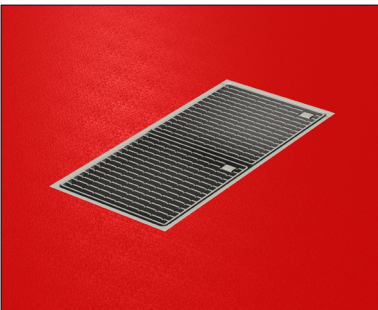
### Floor Finishing



7. Install floor finish per manufacturers instructions ensuring finish is a minimum of 1/8" (3 mm) above the floor drain for optimal drainage.



8. Install required grate(s).



9. Installation is complete.

**ACO, Inc.**

West Sales Office  
825 W. Beechcraft St.  
Casa Grande, AZ 85122  
Tel: (520) 421-9988  
Toll Free: (888) 490-9552  
Fax: (520) 421-9899

info@acousa.com  
[www.acousa.com](http://www.acousa.com)  
[www.acobd.com](http://www.acobd.com)

© July 2022 ACO, Inc.

All reasonable care has been taken in compiling the information in this document. All recommendations and suggestions on the use of ACO products are made without guarantee since the conditions of use are beyond the control of the company. It is the customer's responsibility to ensure that each product is fit for its intended purpose and that the actual conditions of use are suitable. ACO, Inc. reserves the right to change products and specifications without notice.

Re-order Part #BD701

